

LEDRHYTHM

LED
PRECISE, HIGH-OUTPUT LIGHTING

HMARS

PORT LIGHTING

300W, 400W, 500W, 600W, 800W

- Intelligent control
- Operating Temp : -30 °C to + 45 °C
- 0-10V Dimming Optional
- Expected Life over 50,000 Hours
- Die Cast Aluminum
- Famous brand drivers and chips



PROJECT _____

CATALOG # _____

TYPE _____



POWER

Available in 200W, 300W, 400W, 500W, 600W, 800W Configurations

PRECISION

High Chip Density for Increased Uniformity

ENGINEERING

Die Cast Aluminum

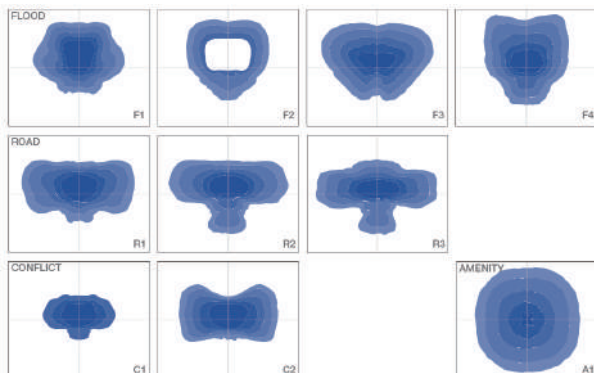
ORDERING INFORMATION

SERIES	WATTS	CCT	OPTICS	INPUT PWR	Protection	Housing Material	DIMMING	FIELDS APPLICATION
HMARS	300W	3000K	60°	120-277V	IP66	Die Cast Aluminum	0-10V Dimmable Optional	Road Street Highway Flood Port
	400W	4000K	90°	277-480 VAC				
	500W	5000K	120°					
	600W	5700K	TYPE II					
	800W		TYPE III TYPE IV TYPE V					

NOTES

- 70 CRI Standard
- Custom RAL Colors Require Additional Costs & Lead Times
- UL, FL & DL Options not DLC QPL Listed
- CM Mounting Standard

OPTICS



LUMEN CHART

	3000K	4000K	5000K	5700K
300W	39000lm	42000lm	45000lm	42000lm
400W	52000lm	56000lm	60000lm	56000lm
500W	65000lm	70000lm	75000lm	70000lm
600W	78000lm	84000lm	90000lm	84000lm
800W	104000lm	112000lm	120000lm	112000lm

Due to continuous improvement and innovation, product appearance and specifications may change without notice. Actual performance may differ as a result of end-user environment and application.

HMARS

PORT LIGHTING

SPECIFICATIONS

Expected Life | Over 50,000 hrs.
Rating | IP66
Color Rendering Index (CRI) | >70
Operating Temp | -30°C – +45°C
Relative Humidity | 0-90% RH
Power Factor | ≥97%
Input Voltage | 120-277/277-480 VAC
Input Frequency | 50/60 Hz
LED Chips | OSRAM
DIMMING | 0-10V Optional
LED Efficiency
- 3000K, 130 lm/w
- 4000K, 140 lm/w
- 5000K, 150 lm/w
- 5700K, 140 lm/w
Surge Protector | 10kV

WARRANTIES

SEE WEBSITE FOR DETAILS

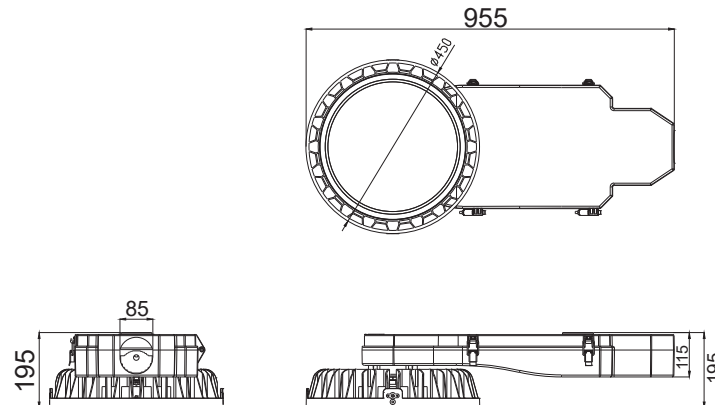
Housing | 5-Year
LED | 5-Year
Driver | 5-Year

MATERIALS

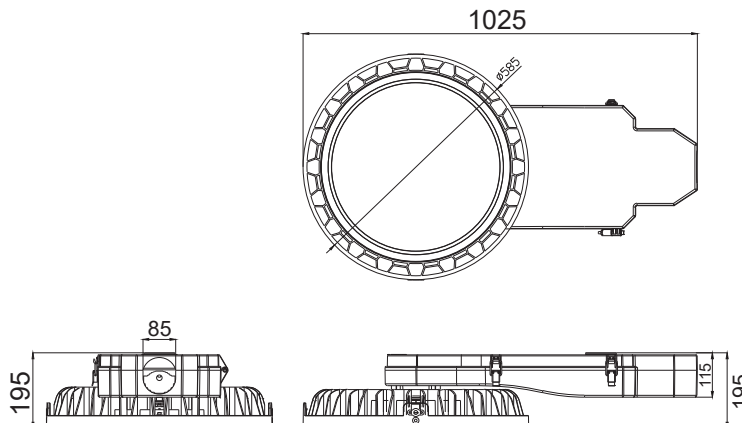
Housing | Die Cast Aluminum
A380 Alloy ADC12
Gasketing | Neoprene Rubber
Hardware | 18-8 Stainless Steel
Finish | Protective UV Stabilized Powdercoat
4000 Hour Salt Spray Tested to ASTM B117
Lens | PC/Aluminum

PRODUCT DRAWINGS

300W-500W



600W-800W



Due to continuous improvement and innovation, product appearance and specifications may change without notice. Actual performance may differ as a result of end-user environment and application.